

DESCRIPTION

High-performance LED roadway and area luminaire featuring a durable die-cast aluminum housing, precision optics for uniform illumination, and a modular replaceable LED engine for simplified maintenance. Available with 0-10V dimming, DALI, and programmable driver options, plus 20kV surge protection. UV-resistant powder-coated finish, 304 stainless steel hardware, and smart control compatibility ensure long-lasting reliability in demanding outdoor applications.

FEATURES

- Body:** Die-casting aluminum.
- Optical system:** PC transparent diffuser, Chrome plastic reflector.
- External Screws:** 304 Stainless Steel
- Wattage Selectable:** 75W / 50W / 25W
- CCT:** 3000K, 4000K, 5000K
- Surge Protection:** Up to 20kv
- Input Power:** 120VAC / 120-277VAC
- IP Rating:** IP65
- Impact resistance:** IK09

Project:	Date
Type:	
Model:	



CUSTOM FINISHES AVAILABLE**



PERFORMANCE

Series	Wattage Selectable	CCT / Lumens	Frequency	Voltage	Net Weight	Gross Weight
SWT	75W / 50W / 25W	3000K, 4000K, 5000K	50/60Hz	120-277V	12.8lb	14.9lb
		(30K) 75W 10,000Lm / 50W 6,650Lm / 25W 3,300Lm (40K) 75W 10,500Lm / 50W 7,000Lm / 25W 3,500Lm				

Example: SWT-WS75-30K-3M-Y-BK



Series	Wattage Selectable	CCT	Optics	Voltage	Dimming Options	Finish	
SWT LED Post Top goose-neck	WS75 25W / 50W / 75W	30K 3000K	2M Type 2	Y Y = 120-277V	Leave Blank Non-dimmable	BK Black 	
		40K 4000K	3M Type 3			DIM 0-10V	WH White
		50K 5000K	4M Type 4			SV Silver 	
			5M Type 5			CUS Custom finish available**	

Enter configuration:

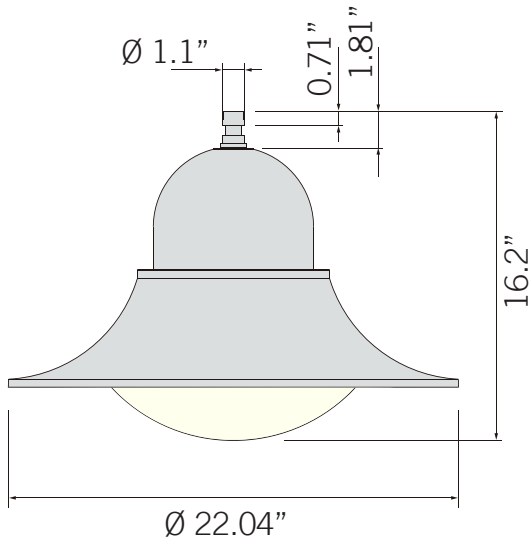
** Special Order / Contact manufacture for pricing & lead time.

Dimensions and values shown are nominal. LuminosoLED continually works to improve products and reserves the right to make changes which may alter the performance or appearance of products.

SWT POST TOP

Power Selectable LED Post Top / 120-277V

DIMENSIONS



LED QTY. (Light Source)



LED Pcs. 32

PHOTOMETRICS

